

# 8.4

# VOLUME OF PRISMS

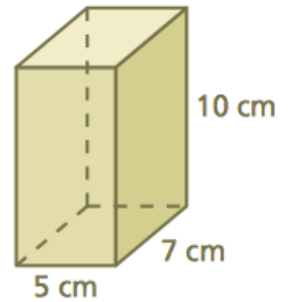
NAME \_\_\_\_\_

Date \_\_\_\_\_

Period \_\_\_\_\_

## Vocabulary and Concept Check

- CRITICAL THINKING** Explain how volume and surface area are different.
- REASONING** Will the formulas for volume work for rectangular prisms with decimal edge lengths? Explain.
- DIFFERENT WORDS, SAME QUESTION** Which is different?



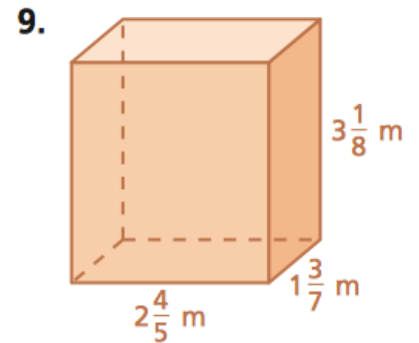
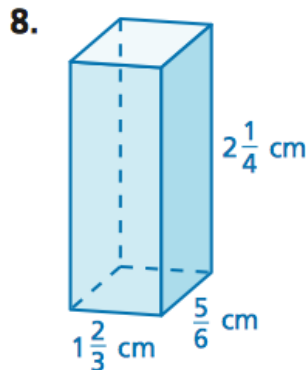
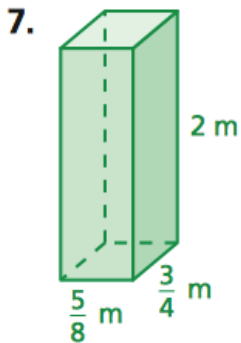
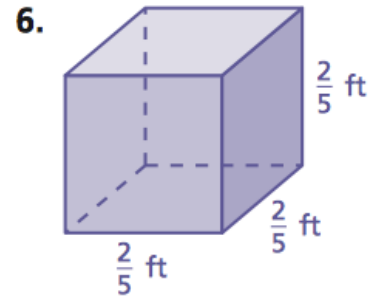
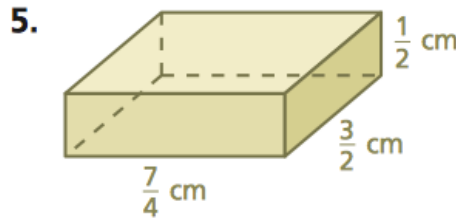
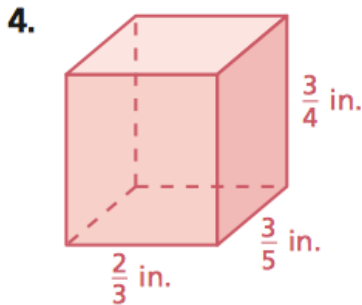
How much does it take to fill the rectangular prism?

What is the capacity of the rectangular prism?

How much does it take to cover the rectangular prism?

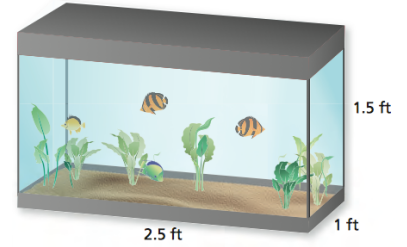
How much does the rectangular prism contain?

No Work =  
No Credit!



No Work =  
No Credit!

10. **FISH TANK** One cubic foot of water weighs about 62.4 pounds. How many pounds of water can the fish tank hold when it is full?



11. **FOOD STORAGE**

- a. Estimate the amount of casserole left in the dish.  
b. Will the casserole fit in the storage container?  
Explain your reasoning.



12. **PROBLEM SOLVING** The area of the shaded face is 96 square centimeters. What is the volume of the rectangular prism?

